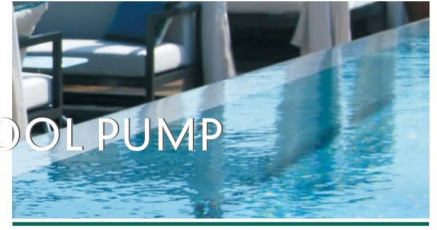




专业泳池泵 PROFESSIONAL SWIMMING POOL PUMP AB



- IP55 waterproof standard.
- Big flow rate.
- Maximum working pressure up to 6 kg/cm².
- 316 stainless steel shaft.
- Graphite/ceramic mechanical seal.
- Suitable for maximum hot water temperature up to 70°C.



- IP55防水标准;
- 流量大;
- 承压能力强, 可达到6kg/cm²;
- 316不锈钢机轴;
- 石墨/陶瓷机械密封;
- 最高适用于70°C温泉。



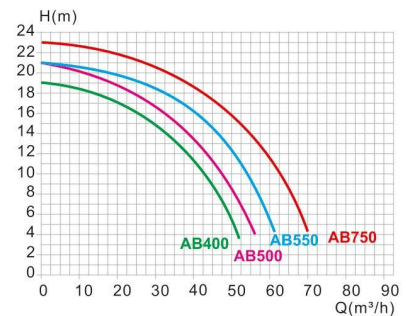
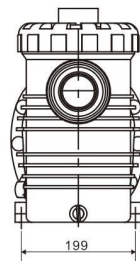
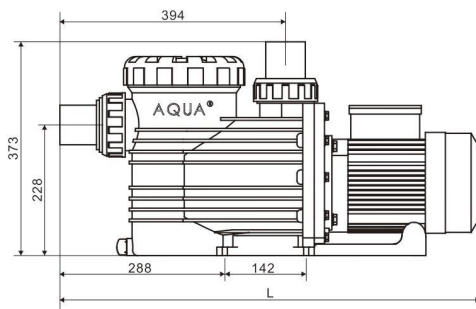
耐高温带牙法兰(选购)
High temperature resistant tooth flange (optional)

适用于**70°C**的温泉, 承受压力**6kg/cm²**

Suitable for 70°C hot spring water, working pressure up to 6 kg/cm².

Specification and size:

技术参数及产品尺寸



Model 型号	Voltage 额定电压 (V)	Connection Size 接管尺寸	Power 输出功率 (kW)	Rotational Speed 转速 (rpm)	Length 长 (mm)
AB400	380	DN65	3.0	2850	750
AB500	380	DN65	3.8	2850	750
AB550	380	DN65/DN80	4.0	2850	770
AB750	380	DN65/DN80	5.5	2850	780